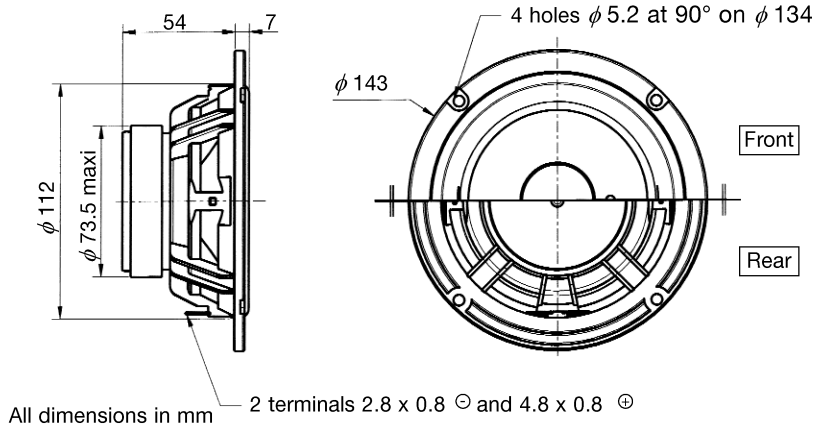


BASS MIDRANGE

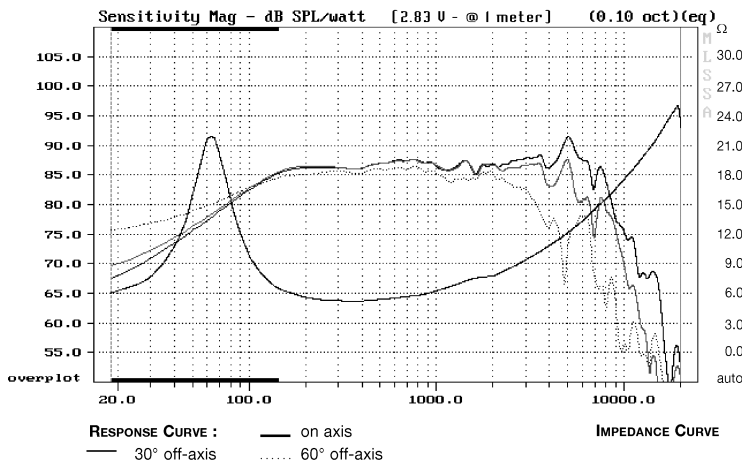
HP130M0 W08PMS2500
102058P

5^{1/4}" Paper cone
High impact polymer chassis

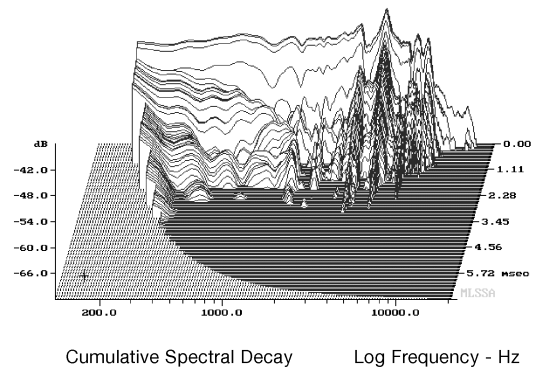


- Non resonant high impact polymer chassis
- Built in cosmetic ring designed for front-rear and recessed mounting
- High temperature voice coil
- Aluminium former
- Paper cone (virgin pulp) - foam suspension

Response Curve



Waterfall



SPECIFICATIONS

Technical characteristics	Symbol	Value	Units
PRIMARY APPLICATION			
Nominal Impedance	Z	8	Ω
Resonance Frequency	Fs	68,5	Hz
Nominal Power Handling	P	40	W
Sensitivity (2,83 V - 1m)	E	88,1	dB
VOICE COIL			
Voice Coil Diameter	φ	25	mm
Minimum Impedance	Zmin	6,9	Ω
DC Resistance	Dcr	6,2	Ω
Voice Coil Inductance	Lbm	0,41	mH
Voice Coil Length	h	12	mm
Former	-	Aluminium	-
Number of Layers	n	2	-
Wire type	-	round	-

MAGNET

Magnet Dimensions	φ x h	72x15	mm
Magnet Weight	m	0,245	kg
Flux Density	B	1	T
Force Factor	BL	5,14	NA ⁻¹
Height of Magnetic Gap	He	4	mm
Stray Flux	Fmag	-	Am ⁻¹
Linear Excursion	Xmax	± 4	mm

PARAMETERS

Suspension Compliance	Cms	860	μm/N
Mechanical Q Factor	Qms	2,39	-
Electrical Q Factor	Qes	0,63	-
Total Q Factor	Qts	0,50	-
Mechanical Resistance	Rms	1,13	kg s ⁻¹
Moving Mass	Mms	6,28	g
Effective Piston Area	S	83,32	cm ²
Volume Equivalent of Air at Cas	Vas	8,38	liters

Suggested Application

Vb	Fb	Dp	Lp	F-3
liters	Hz	cm	cm	Hz
5	-	-	-	99,0
-	-	-	-	-