

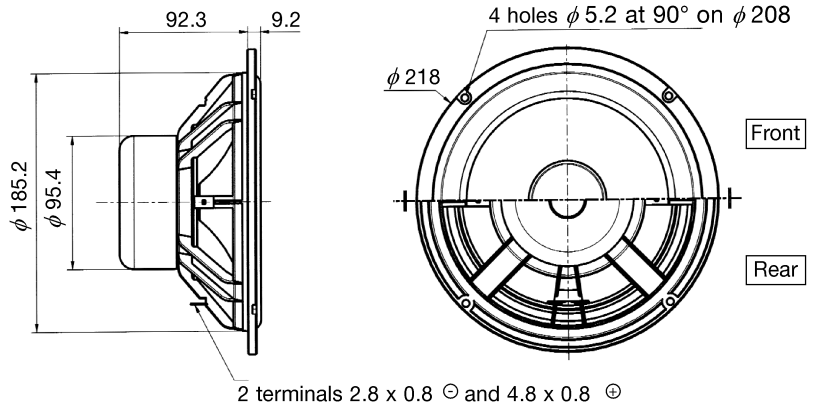
BASS MIDRANGE

AP210Z0 W08ZGS3011
102047N

102096R

Nov .98

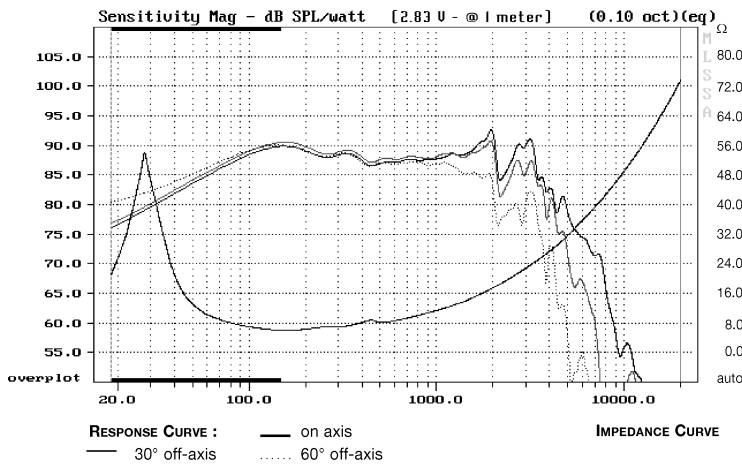
Shielded 8" HDA cone driver
High impact polymer chassis



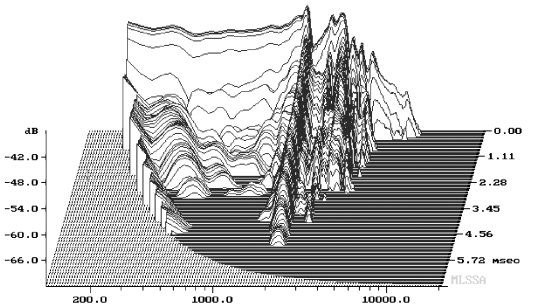
All dimensions in mm

- HDA (High Definition Aerogel) cone
- Fully shielded magnet system for audio video application
- Non resonant high impact polymer chassis
- High loss rubber surround
- Built in cosmetic ring designed for front-rear and recessed mounting
- High temperature voice coil - 4 layers
- Aluminium former

Response Curve



Waterfall



SPECIFICATIONS

Technical characteristics	Symbol	Value	Units
PRIMARY APPLICATION			
Nominal Impedance	Z	6	Ω
Resonance Frequency	Fs	29	Hz
Nominal Power Handling	P	70	W
Sensitivity (2,83 V - 1m)	E	89,8	dB
VOICE COIL			
Voice Coil Diameter	ϕ	30	mm
Minimum Impedance	Zmin	6,3	Ω
DC Resistance	Dcr	5,3	Ω
Voice Coil Inductance	Lbm	1	mH
Voice Coil Length	h	11,2	mm
Former	-	Aluminium	-
Number of Layers	n	4	-
Wire type	-	round	-

MAGNET

Magnet Dimensions	$\phi \times h$	84×15 72×15	mm
Magnet Weight	m	0,31 0,245	kg
Flux Density	B	1	T
Force Factor	BL	8,10	NA ⁻¹
Height of Magnetic Gap	He	6	mm
Stray Flux	Fmag	-	Am ⁻¹
Linear Excursion	Xmax	$\pm 2,6$	mm

PARAMETERS

Suspension Compliance	Cms	1275	$\mu\text{m/N}$
Mechanical Q Factor	Qms	3,48	-
Electrical Q Factor	Qes	0,36	-
Total Q Factor	Qts	0,32	-
Mechanical Resistance	Rms	1,24	kg s ⁻¹
Moving Mass	Mms	23,67	g
Effective Piston Area	S	226,98	cm ²
Volume Equivalent of Air at Cas	Vas	92,23	liters

Suggested Applications

Vb	Fb	Dp	Lp	F-3
liters	Hz	cm	cm	Hz
30	37,2	6	16	46,3
40	36,0	6	12	41,0