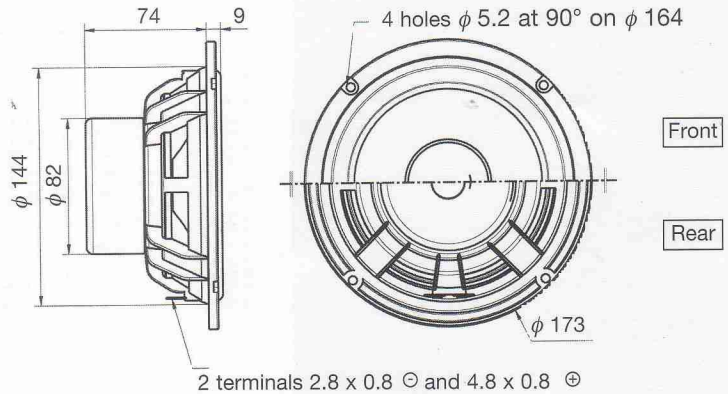


## BASS MIDRANGE

AP170M0 W08PMP2511  
102092N

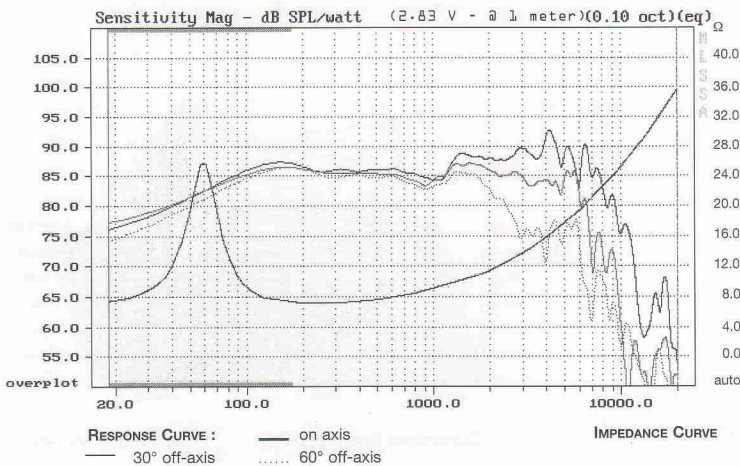
**Shielded 6<sup>1/2</sup>" paper cone**  
**High impact polymer chassis**



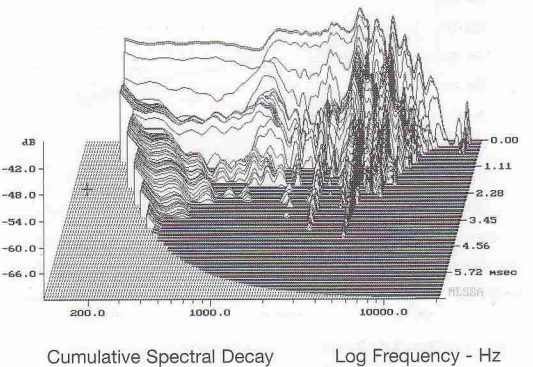
All dimensions in mm

- Fully shielded magnet system for all audio video applications
- Non resonant high impact polymer chassis
- Built in cosmetic ring designed for front-rear and recessed mounting
- High temperature voice coil
- Aluminium former
- Paper cone (virgin pulp)
- Foam suspension

## Response Curve



## Waterfall



## SPECIFICATIONS

Technical characteristics	Symbol	Value	Units
<b>PRIMARY APPLICATION</b>			
Nominal Impedance	Z	8	Ω
Resonance Frequency	Fs	59,7	Hz
Nominal Power Handling	P	45	W
Sensitivity (2,83 V - 1m)	E	87,3	dB
<b>VOICE COIL</b>			
Voice Coil Diameter	φ	25	mm
Minimum Impedance	Zmin	7,2	Ω
DC Resistance	Dcr	6,2	Ω
Voice Coil Inductance	Lbm	0,57	mH
Voice Coil Length	h	12	mm
Former	-	Aluminium	-
Number of Layers	n	2	-
Wire type	-	round	-
Wire material	-	copper	-

## MAGNET

Magnet Dimensions	φ x h	72x15	80x10	mm
Magnet Weight	m	0,245	0,105	kg
Flux Density	B	1		T
Force Factor	BL	4,86		NA <sup>-1</sup>
Height of Magnetic Gap	He	5		mm
Stray Flux	Fmag	-		Am <sup>-1</sup>
Linear Excursion	Xmax	± 3,5		mm

## PARAMETERS

Suspension Compliance	Cms	712		μm/N
Mechanical Q Factor	Qms	3,30		-
Electrical Q Factor	Qes	1,06		-
Total Q Factor	Qts	0,80		-
Mechanical Resistance	Rms	1,13		kg s <sup>-1</sup>
Moving Mass	Mms	9,98		g
Effective Piston Area	S	132,73		cm <sup>2</sup>
Volume Equivalent of Air at Cas	Vas	17,62		liters
Mass of Speaker	M	0,9		kg

## Suggested Applications

Vb	Fb	Dp	Lp	F-3
liters	Hz	cm	cm	Hz
30	-	-	-	65,0
-	-	-	-	-