

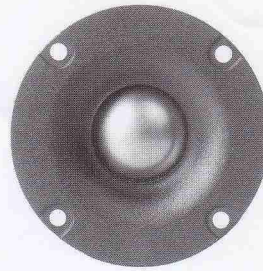
TWEETER

TM025F7 D08IIZ0070
101920M

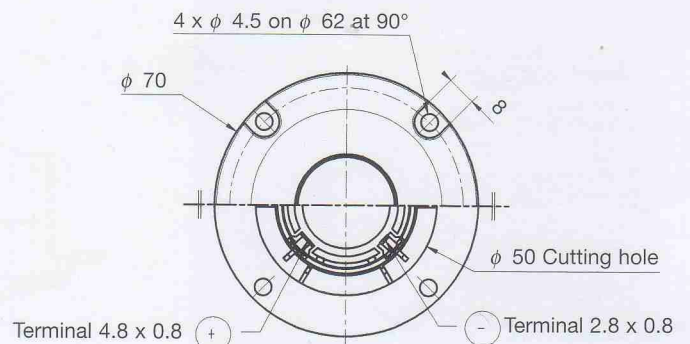
TM025 . Hi Fi . Titanium 8 Ω

101977Y

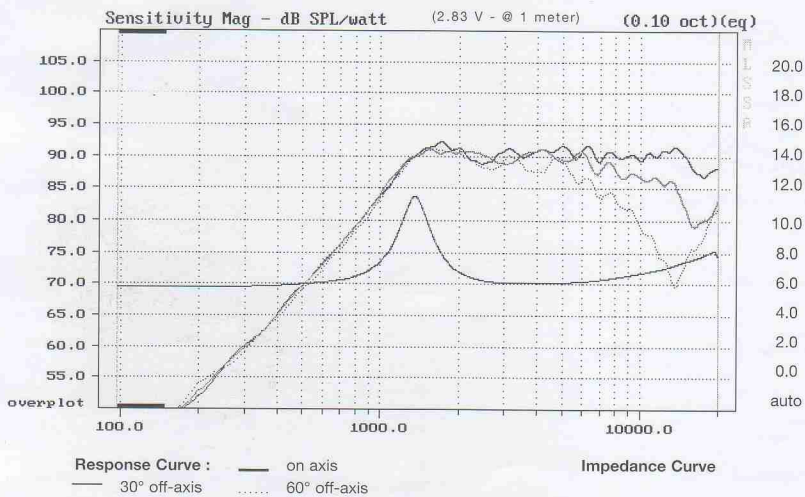
April . 99



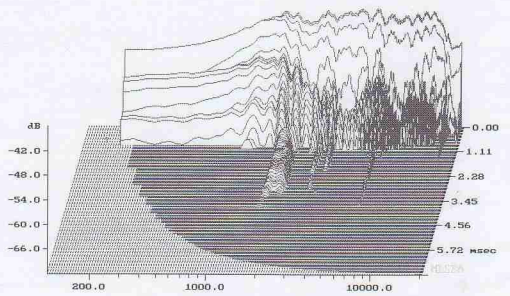
- Compact and light design (round)
- Ultra smooth response face plate profile
- Pure titanium diaphragm - Optimized profile IV
- High energy neodymium magnet (20 times ceramic magnet)
- Compact overmoulded magnet system Inherently shielded
- Ferrofluid cooled voice coil (new generation - 250 cps)



Response Curve



Waterfall



Cumulative Spectral Decay Log Frequency - Hz

SPECIFICATIONS

Technical characteristics	Symbol	Value	Units
PRIMARY APPLICATION			
Nominal Impedance	Z	8	Ω
Nominal Power Handling	P	60	W
VOICE COIL			
Number of Layers	-	2	-
Wire type	-	round	-
Wire material	-	Copper	-
Former material	-	Aluminium	-
Voice coil winding height	-	1,6	mm
Voice coil diameter	φ	25	mm

SPECIFICATIONS

Technical characteristics	Symbol	Value	Units
PARAMETERS			
Sensitivity (2,83 V - 1m)	E	91	dB
Speaker Mass	m	54	g
MAGNET			
Magnet dimensions	φ x h	25x3	mm
Magnetic Induction	B	1,2	T
Magnetic Stray Flux	Fmag	-	A/m
Gap Height	He	1,5	mm
Linear excursion Capability	Xmax	±0,05	mm

Suggested Application

Crossover Frequency	Slope	Inductance	Capacitor	Power Handling
Hz	dB / Oct.	mH	μF	W
4400	6	-	5,6	50
2700	12	0,39	8,2	60