

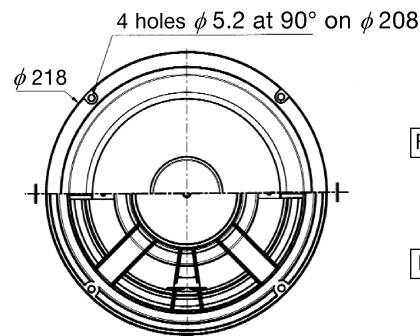
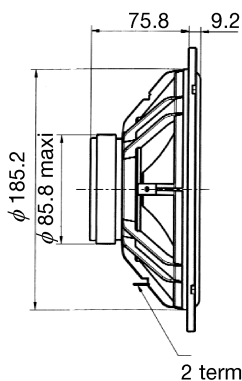
BASS MIDRANGE

HP210G0 W08PGS2511
102011E

102093A

Nov .98

8" Coated paper cone
High impact polymer chassis



Front

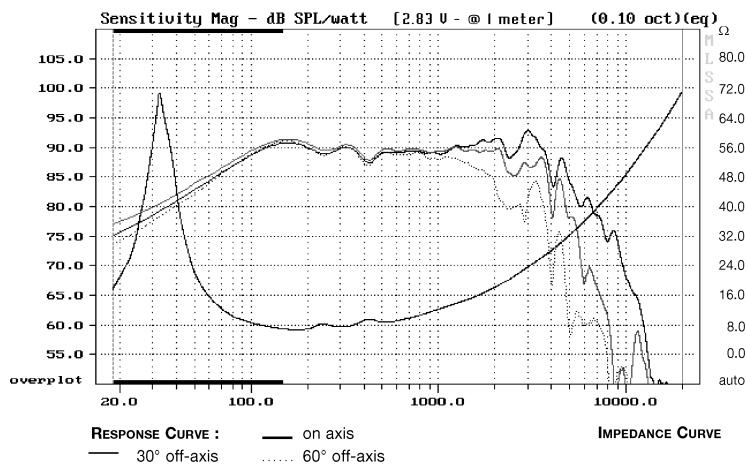
Rear

2 terminals 2.8 x 0.8 ⊖ and 4.8 x 0.8 ⊕

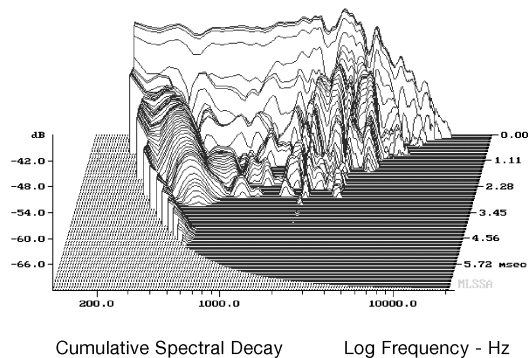
All dimensions in mm

- Non resonant high impact polymer chassis
- Built in cosmetic ring for front-rear and recessed mounting
- Coated paper cone
- High loss rubber surround
- High temperature voice coil - 4 layers
- Aluminium former

Response Curve



Waterfall



SPECIFICATIONS

Technical characteristics	Symbol	Value	Units
PRIMARY APPLICATION			
Nominal Impedance	Z	6	Ω
Resonance Frequency	Fs	32,2	Hz
Nominal Power Handling	P	50	W
Sensitivity (2,83 V - 1m)	E	92	dB
VOICE COIL			
Voice Coil Diameter	φ	25	mm
Minimum Impedance	Zmin	6,4	Ω
DC Resistance	Dcr	5,6	Ω
Voice Coil Inductance	Lbm	1,31	mH
Voice Coil Length	h	11	mm
Former	-	Aluminium	-
Number of Layers	n	4	-
Wire type	-	round	-

MAGNET

Magnet Dimensions	φ x h	84 x 15	mm
Magnet Weight	m	0,347	kg
Flux Density	B	1	T
Force Factor	BL	9,23	NA ⁻¹
Height of Magnetic Gap	He	5	mm
Stray Flux	Fmag	-	Am ⁻¹
Linear Excursion	Xmax	± 3	mm

PARAMETERS

Suspension Compliance	Cms	1196	μm/N
Mechanical Q Factor	Qms	3,29	-
Electrical Q Factor	Qes	0,28	-
Total Q Factor	Qts	0,26	-
Mechanical Resistance	Rms	1,25	kg s ⁻¹
Moving Mass	Mms	20,43	g
Effective Piston Area	S	226,98	cm ²
Volume Equivalent of Air at Cas	Vas	86,52	liters

Suggested Applications

Vb	Fb	Dp	Lp	F-3
liters	Hz	cm	cm	Hz
20	49,4	6	13	61,3
30	52,2	6	6	52,2