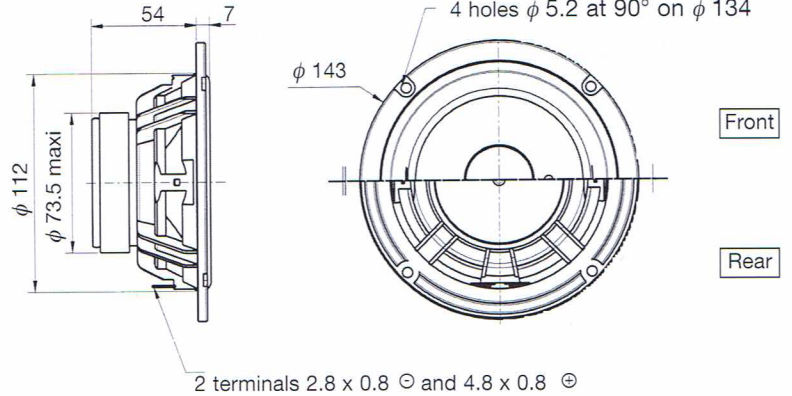


BASS MIDRANGE

HP130G0 W08PGP2511
102076P

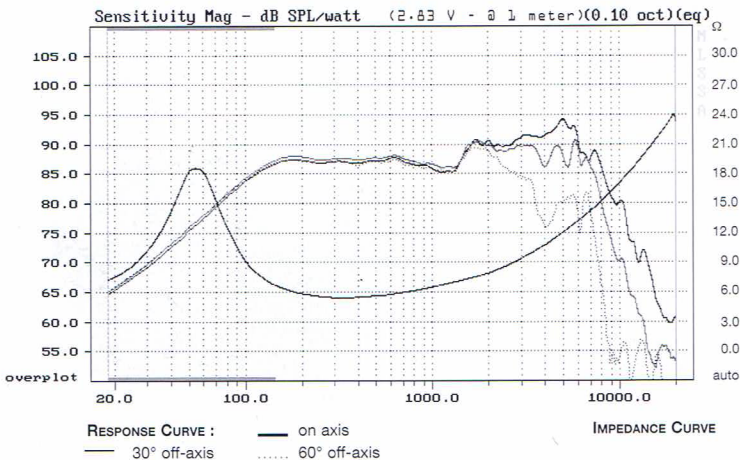
5 1/4" Coated paper cone
High impact polymer chassis



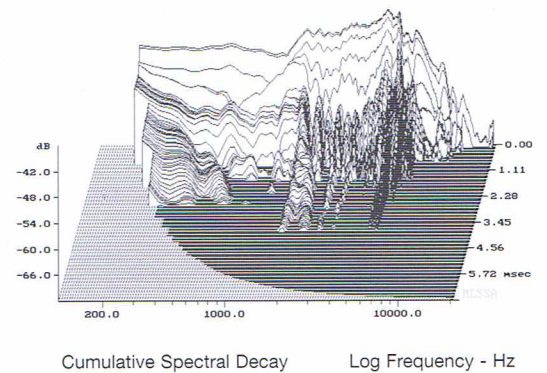
All dimensions in mm

- Non resonant high impact polymer chassis
- High loss rubber surround
- Coated paper cone
- Built in cosmetic ring designed for front-rear and recessed mounting
- High temperature voice coil
- Aluminium former

Response Curve



Waterfall



SPECIFICATIONS

Technical characteristics	Symbol	Value	Units
PRIMARY APPLICATION			
Nominal Impedance	Z	6	Ω
Resonance Frequency	Fs	54,9	Hz
Nominal Power Handling	P	40	W
Sensitivity (2,83 V - 1m)	E	87,8	dB
VOICE COIL			
Voice Coil Diameter	ϕ	25	mm
Minimum Impedance	Zmin	5,4	Ω
DC Resistance	Dcr	5,2	Ω
Voice Coil Inductance	Lbm	0,37	mH
Voice Coil Length	h	10	mm
Former	-	Aluminium	-
Number of Layers	n	2	-
Wire type	-	round	-
Wire material	-	copper	-

MAGNET

Magnet Dimensions	ϕ x h	72 x 15	mm
Magnet Weight	m	0,245	kg
Flux Density	B	1	T
Force Factor	BL	4,73	NA ⁻¹
Height of Magnetic Gap	He	4	mm
Stray Flux	Fmag	-	Am ⁻¹
Linear Excursion	Xmax	\pm 3	mm

PARAMETERS

Suspension Compliance	Cms	1247	μ m/N
Mechanical Q Factor	Qms	1,49	-
Electrical Q Factor	Qes	0,50	-
Total Q Factor	Qts	0,38	-
Mechanical Resistance	Rms	1,55	kg s ⁻¹
Moving Mass	Mms	6,74	g
Effective Piston Area	S	83,32	cm ²
Volume Equivalent of Air at Cas	Vas	12,16	liters
Mass of Speaker	M	0,65	kg

Suggested Applications

Vb	Fb	Dp	Lp	F-3
liters	Hz	cm	cm	Hz
5	59,0	3	10	79,5
10	61,1	3	3,5	58,8