

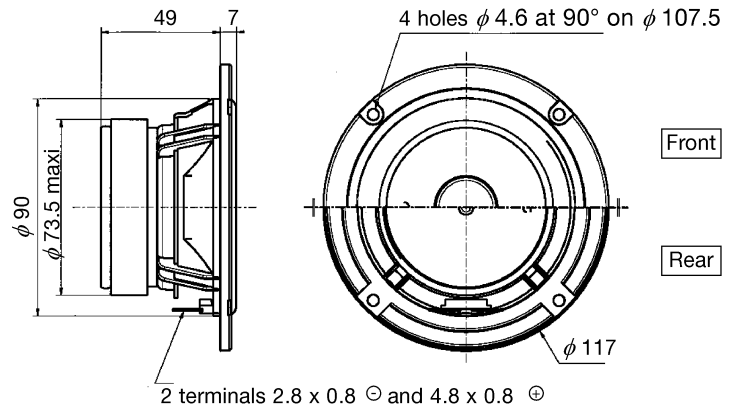
BASS MIDRANGE

HP100Z0 M08ZGP2511
102068Q

102067P

Nov .98

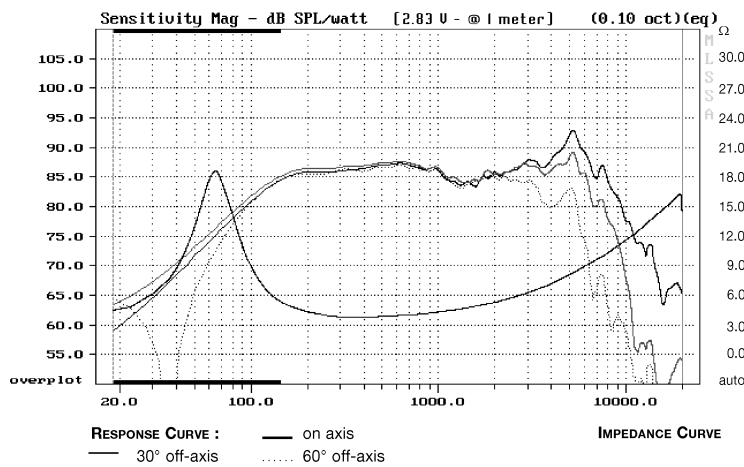
4" HDA cone driver High impact polymer chassis



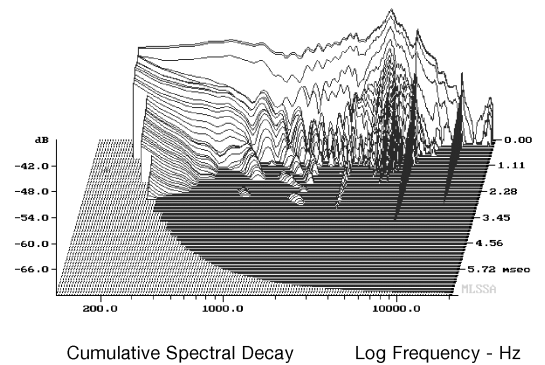
All dimensions in mm

- HDA (High Definition Aerogel) cone
- Non resonant high impact polymer chassis
- High loss rubber surround
- Built in cosmetic ring designed for front-rear and recessed mounting
- High temperature voice coil
- Aluminium former

Response Curve



Waterfall



SPECIFICATIONS

Technical characteristics	Symbol	Value	Units
PRIMARY APPLICATION			
Nominal Impedance	Z	6	Ω
Resonance Frequency	Fs	68,1	Hz
Nominal Power Handling	P	30	W
Sensitivity (2,83 V - 1m)	E	86,3	dB
VOICE COIL			
Voice Coil Diameter	φ	25	mm
Minimum Impedance	Zmin	6,2	Ω
DC Resistance	Dcr	5,7	Ω
Voice Coil Inductance	Lbm	0,49	mH
Voice Coil Length	h	9,4	mm
Former	-	Aluminium	-
Number of Layers	n	2	-
Wire type	-	round	-
Wire material	-	copper	-

MAGNET

Magnet Dimensions	φ x h	72 x 15	mm
Magnet Weight	m	0,245	kg
Flux Density	B	1	T
Force Factor	BL	4,98	NA ⁻¹
Height of Magnetic Gap	He	4	mm
Stray Flux	Fmag	-	Am ⁻¹
Linear Excursion	Xmax	± 2,7	mm

PARAMETERS

Suspension Compliance	Cms	1136	μmN
Mechanical Q Factor	Qms	2,02	-
Electrical Q Factor	Qes	0,45	-
Total Q Factor	Qts	0,37	-
Mechanical Resistance	Rms	1,03	kg s ⁻¹
Moving Mass	Mms	4,81	g
Effective Piston Area	S	50,27	cm ²
Volume Equivalent of Air at Cas	Vas	4,03	liters
Mass of Speaker	M	0,62	kg

Suggested Applications

Vb	Fb	Dp	Lp	F-3
liters	Hz	cm	cm	Hz
3	76,2	3	10	76,3
4	76,0	3	7	70,5