

## TWEETER

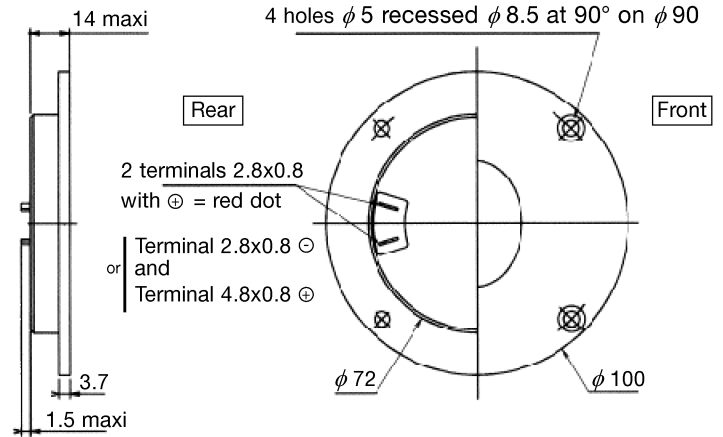
101405K

May '99

### 1" x 2" - HD-3P dome 30 x 40 mm

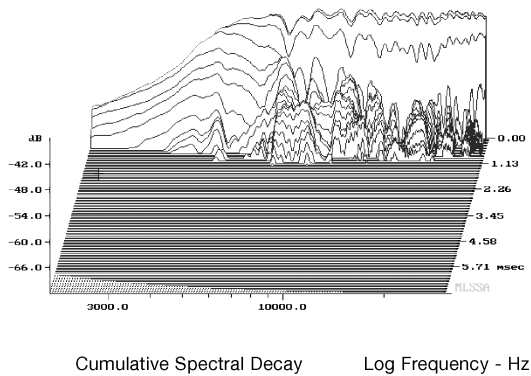


- Elliptical HD-3P dome
- High Definition Pressurized Piezo Polymer
- Ultra-light, direct-radiating diaphragm
- Delivered with matching transformer
- Solid metal faceplate
- Gold plated terminals
- Possibilities to adjust response curve modifying suggested crossover

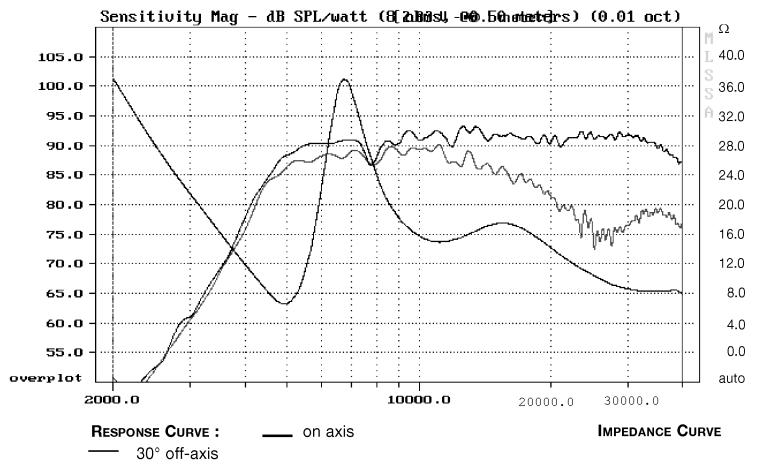


All dimensions in mm

## Waterfall



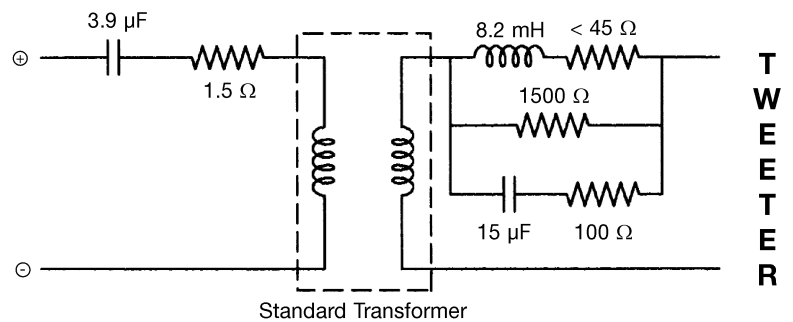
## Response Curve



## SPECIFICATIONS

Technical characteristics	Symbol	Value	Units
<b>PRIMARY APPLICATION</b>			
Nominal Impedance	Z	4	Ω
Resonance Frequency	Fs	-	Hz
Nominal Power Handling	P	50	W
Sensitivity (2,83 V - 1m)	E	91	dB
High Cut Frequency (-6dB)	Fhc	37000	kHz
Low Cut Frequency	Flc	4500	kHz
Minimum Impedance (20Hz-20kHz)	Zmin	3,4	Ω
DC Resistance	Re	∞	Ω
<b>PARAMETERS</b>			
Moving Mass	Mms	0,007.10 <sup>-3</sup>	kg
Effective piston Area	S	0,42	cm
Volume Equivalent of Air at Cas	Vas	-	m <sup>2</sup>
Mass of Speaker	m	300	g

## Suggested Application



R <sub>3</sub> (Ω)	R <sub>4</sub> (Ω)	R <sub>5</sub> (Ω)	R <sub>L2</sub> (Mh)	L <sub>2</sub> (μF)	C <sub>2</sub> (μF)	C <sub>3</sub> (μF)
1.5	1500	100	≤50	8.2	3.9	0.015