

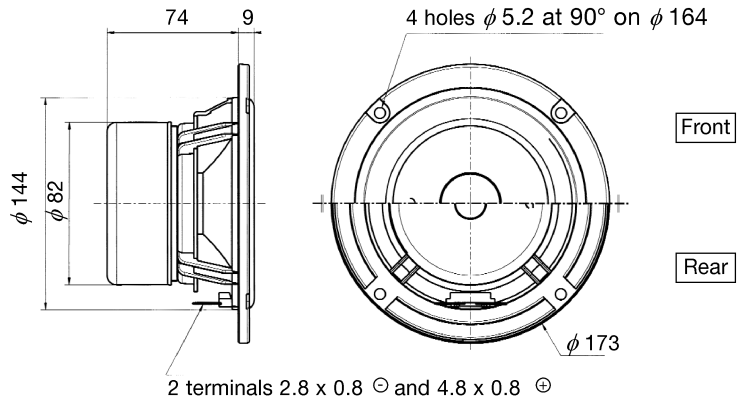
BASS MIDRANGE

AP170G2 W08PGP2511
102053K

102087R

Dec .98

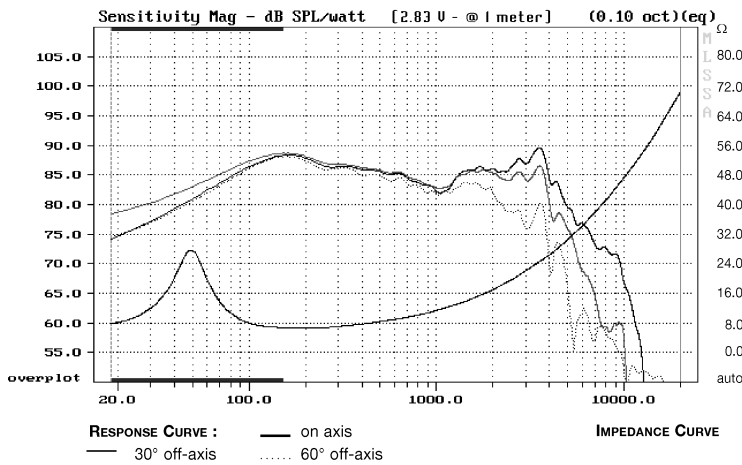
Shielded 6^{1/2}" coated paper cone
High impact polymer chassis



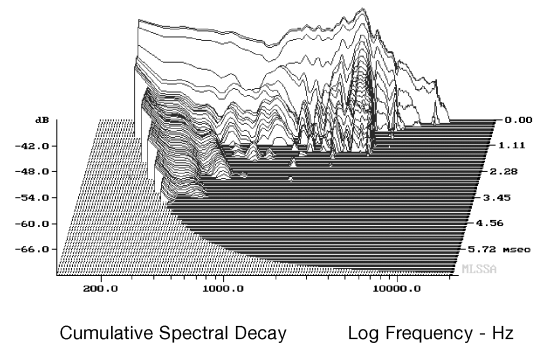
All dimensions in mm

- Fully shielded magnet system for audio video application
- Non resonant high impact polymer chassis
- Built in cosmetic ring designed for front-rear and recessed mounting
- Coated paper cone
- High loss rubber surround
- High temperature voice coil - 4 layers
- Aluminium former

Response Curve



Waterfall



SPECIFICATIONS

Technical characteristics	Symbol	Value	Units
PRIMARY APPLICATION			
Nominal Impedance	Z	6	Ω
Resonance Frequency	Fs	48,6	Hz
Nominal Power Handling	P	45	W
Sensitivity (2,83 V - 1m)	E	87,8	dB
VOICE COIL			
Voice Coil Diameter	ϕ	25	mm
Minimum Impedance	Zmin	6,7	Ω
DC Resistance	Dcr	5,6	Ω
Voice Coil Inductance	Lbm	0,99	mH
Voice Coil Length	h	11	mm
Former	-	Aluminium	-
Number of Layers	n	4	-
Wire type	-	round	-

MAGNET

Magnet Dimensions	$\phi \times h$	72x15 60x10	mm
Magnet Weight	m	0,245 0,100	kg
Flux Density	B	1	T
Force Factor	BL	6,56	NA ⁻¹
Height of Magnetic Gap	He	5	mm
Stray Flux	Fmag	-	Am ⁻¹
Linear Excursion	Xmax	± 3	mm

PARAMETERS

Suspension Compliance	Cms	774	$\mu\text{m/N}$
Mechanical Q Factor	Qms	2,51	-
Electrical Q Factor	Qes	0,56	-
Total Q Factor	Qts	0,46	-
Mechanical Resistance	Rms	1,68	kg s ⁻¹
Moving Mass	Mms	13,83	g
Effective Piston Area	S	132,73	cm ²
Volume Equivalent of Air at Cas	Vas	19,15	liters

Suggested Applications

Vb	Fb	Dp	Lp	F-3
liters	Hz	cm	cm	Hz
20	46,8	6	15	45,4
-	-	-	-	-